



PRODUCTS
FOR THE

PRINTING INDUSTRY

APPLICATION GUIDE

NEXEN SOLUTIONS FOR YOUR PRINTING CHALLENGES

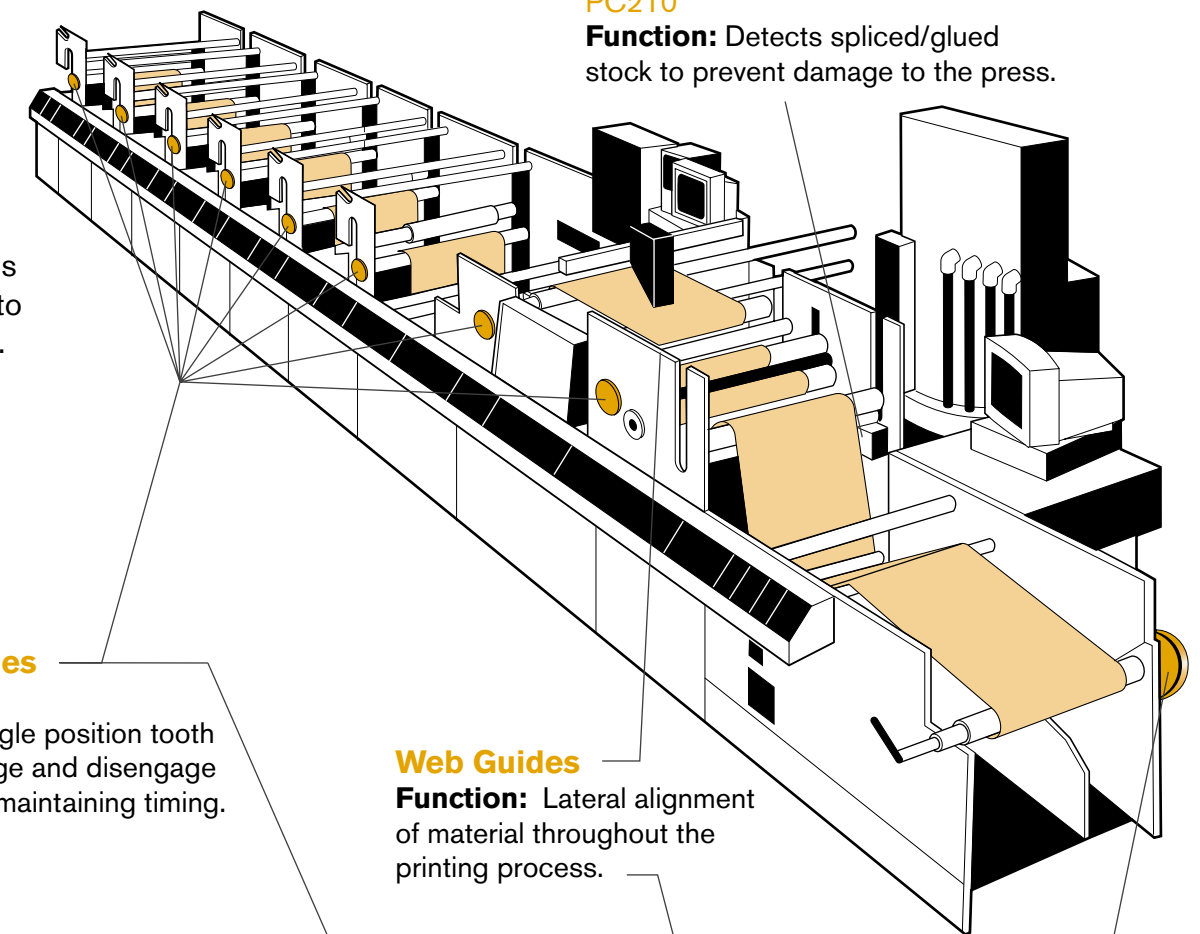
Nexen is an internationally recognized industry leader offering a full range of tension and web related products (including sensors, closed or open-loop controls, web guides, splice detection devices, and tension brakes and clutches) as well as comprehensive custom engineering services. Nexen web control systems prevent wasting of materials, time and money by providing dependable performance and easy integration.

Nexen also offers products for post-printing operations such as sheeting, die cutting, inserting, and collating. All systems feature air-engaged clutches and/or brakes to provide the best tensioning in the industry. Nexen has been proving for years that air-engaged products last longer, respond faster, provide more torque and thermal horsepower, and consume less energy than comparable electric units. Find out for yourself. We guarantee your satisfaction.

Web Press

Paper Checker PC210

Function: Detects spliced/glued stock to prevent damage to the press.



Tension Controls

For the unwind, intermediate and windup sections of **all** web presses.

TC820, TCD600, RSD100 Dancer Control System

Function: Monitors tensioning and sends corrective signals to the brakes/clutches to compensate for any tension disturbances.

Flying Splice Turret

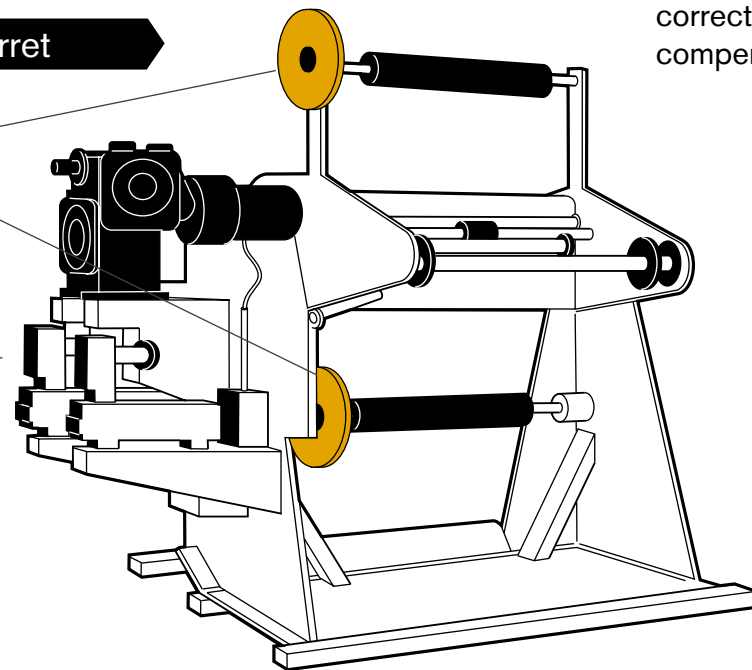
Tension Brakes or Clutches BTB, XTB, STC, TCC

Function: Regulates tension on roll stock as material is fed onto or removed from the press.

Tension Controls

TC820, RSD100 Dancer Control System

Function: Controls tension levels before, during and after splicing operations.



Tooth Clutches 5H Models

Function: Single position tooth clutches engage and disengage sections while maintaining timing.

Web Guides

Function: Lateral alignment of material throughout the printing process.

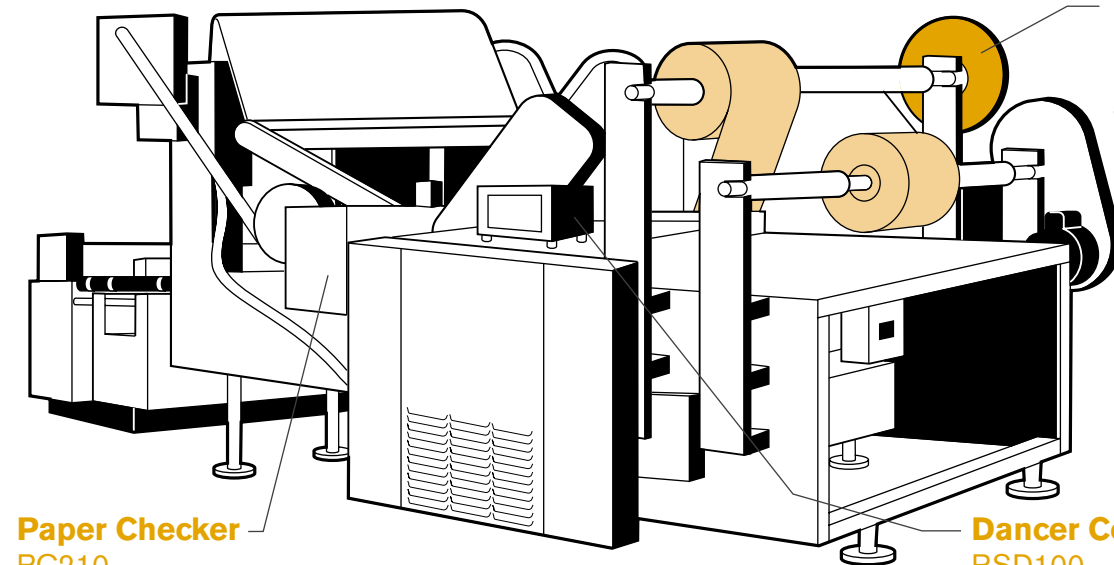
Tension Brakes BTB, XTB

Function: Maintains consistent tension on roll stock as material is fed onto the press.

Sheeter

Tension Brakes BTB, XTB

Function: Regulates tension on roll stock as material is fed into the sheeter.



Paper Checker PC210

Function: Detects spliced/glued stock and signals the machine to discard the pieces.

Dancer Control System RSD100

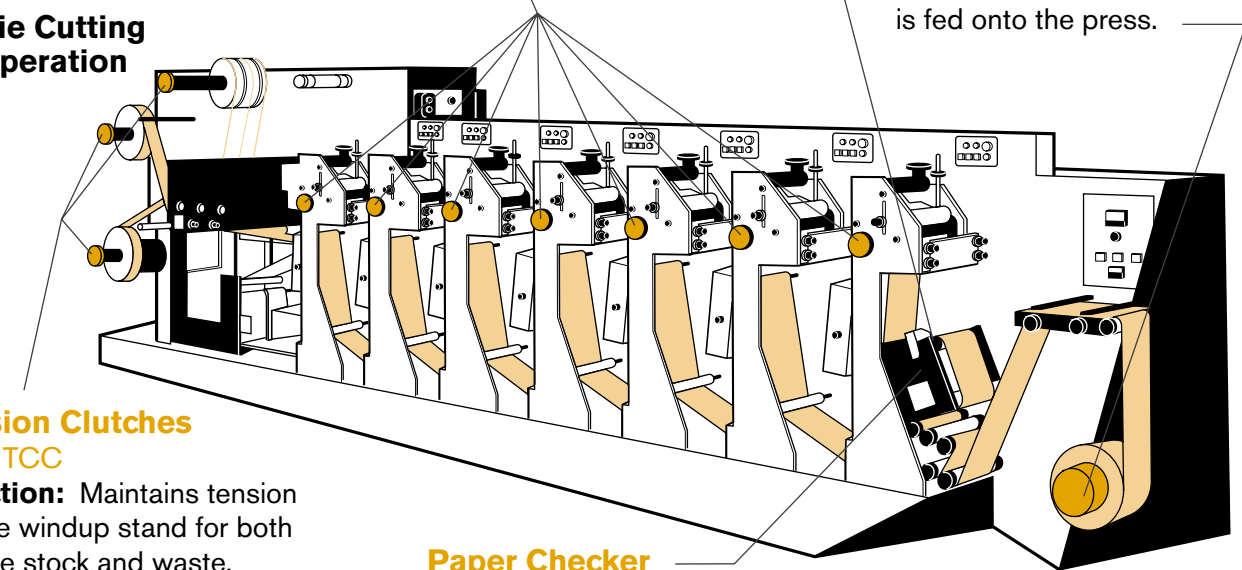
Function: Maintains tension between roll changes.

Narrow Label Press

Die Cutting Operation

Tension Clutches STC, TCC

Function: Maintains tension on the windup stand for both usable stock and waste.



Paper Checker Same as above.

Web Control Products



Designed to dissipate heat away from the unit, Nexen **tension control brakes & clutches** have high thermal capacities and long operating lives. Multiple actuators allow for versatile, precise tension control. Installation and maintenance are made easy by simple connections.

Nexen offers **tension control systems** for open-loop diameter, compensating and closed-loop load cell (sensor) based tension control. Working with pneumatic brakes/clutches, these systems monitor web tension and adjust brake/clutch torque output to maintain appropriate web tension. The load cell system produces accuracy of 1-2%; the open loop system is about 8-10% accurate.



Nexen's innovative **dancer position control system** is ideal for out of round rolls, flying splice applications and multiple start/stop situations. The RSD100 Digital Dancer Controller maintains constant web tension with fast response to tension disturbances and features PC-based setup and calibration, eliminating potentiometer adjustments.



Nexen's **web guide controllers & amplifiers** provide automatic positioning of the web in response to feedback received from position sensors. They translate information from the sensors into control signals for web position drive motors. The amplifier's motor control output drives an electrical linear actuator to correct the web position by adjusting the roll stand or guide roll mechanism.

Nexen carries a variety of **web sensors** that communicate with Nexen controls for accurate web processing. Our ultrasonic sensors are perfect for edge/center control of photosensitive print paper for transparent print film. Offering sensors for splice/break detection, tension metering, line following, web guiding, and positioning, Nexen has everything you need to monitor web operations and maintain accurate positioning.



Nexen **web guiding systems** provide consistent controlled lateral alignment of the web to ensure a quality print product every time. Offering a variety of self-contained web guides and web guiding systems, we have a product to meet your unwind, intermediate, and windup guiding needs.

nexen®

www.nexengroup.com

Headquarters/The Americas

Nexen Group, Inc.
560 Oak Grove Parkway
Vadnais Heights, MN 55127-8509
Phone: 1-800-843-7445
or 651-484-5900
Fax: 651-286-1099

Europe

Nexen Europe Group
Koningin Astridlaan 59, B12
1780 Wemmel,
Brussels, Belgium
Phone: (32) 2 461-0260
Fax: (32) 2 461-0248

Australia

Norman G. Clark (A/Asia) PTY. LTD.
44 Kyla Road
West Hiedelberg, Victoria 3081 Australia
Phone: 61-3-9457-5833
Fax: 61-3-9457-5781

Japan

Nexen Japan Group
3-3-1-403, Midori-Cho
Fuchu-City, Tokyo 183 Japan
Phone: 81-423-36-3533
Fax: 81-423-36-6534

For the Nexen office nearest you, please consult the Nexen website listed above.



MEX (55) 53 63 23 31 MTY (81) 83 54 10 18
QRO (442) 1 95 72 60 ventas@industrialmagza.com

© Nexen Group, Inc. 2001
ISO 9001 Certified

21141-A-0402